



solo per professionisti

Sirman SpA
Viale dell'industria 9/11
35010 Pieve di Curtarolo (PD) Italy
Tel/Fax +39 049 9698666/9698668
E-mail. info@sirman.com

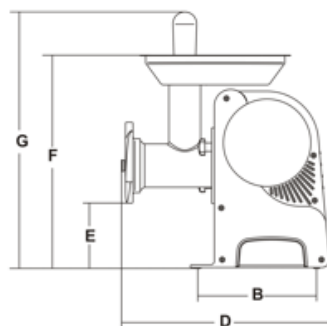
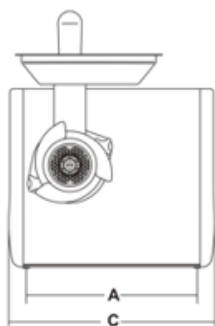
TC 12 DAKOTA



- Easy to carry thanks to its sides handles.
- Anodized aluminium body and ABS shockproof sides.
- Ventilated motor.
- Oil-bath gear box.
- Ground tempered helical gears.
- Easy to remove AISI 304 S/S mincing mouth.
- S/S plates and knives.
- Standard reverse.
- CE version:
24 volt controls and NVR device.



Optional tomate sauce making



Model

Alimentation

TC output/h.

Standard plate

A

B

C

D

E

F

G

Net weight

Shipping

Gross weight

TC 12 DAKOTA

Mn watt 750 - Hp 1

Tf 1100 - Hp 1,5

230-400V/50Hz

kg/h. 95

ø mm 4,5

mm 310

mm 225

mm 395

mm 360

mm 130

mm 415

mm 485

kg 24

mm 500x430x450