



Model 35C+ & 45C+ Economy Tube Fired Gas Fryers



STANDARD ACCESSORIES

- Cabinet - stainless steel front, door
- Galvanized sides and back
- Tank - mild steel with stainless front
- Built-in integrated flue deflector
- Two nickel plated oblong, wire mesh baskets
- One nickel-plated tube rack
- One drain extension
- One drain line clean-out rod
- Removable basket hanger for easy cleaning
- 6" (15.2 cm) adjustable legs

AVAILABLE OPTIONS & ACCESSORIES

- Triple baskets
- Covers
- Fryer cleaner
- Casters

STANDARD SPECIFICATIONS

CONSTRUCTION

- Welded tank with an extra smooth peened finish ensures easy cleaning.
- Long-lasting, high-temperature alloy stainless steel heat baffles are mounted in the heat exchanger tubes to provide maximum heating and combustion efficiency.
- Standing pilot light design provides a ready flame when heat is required.
- Cabinet front and door are constructed of stainless steel with galvanized sides and back.

CONTROLS

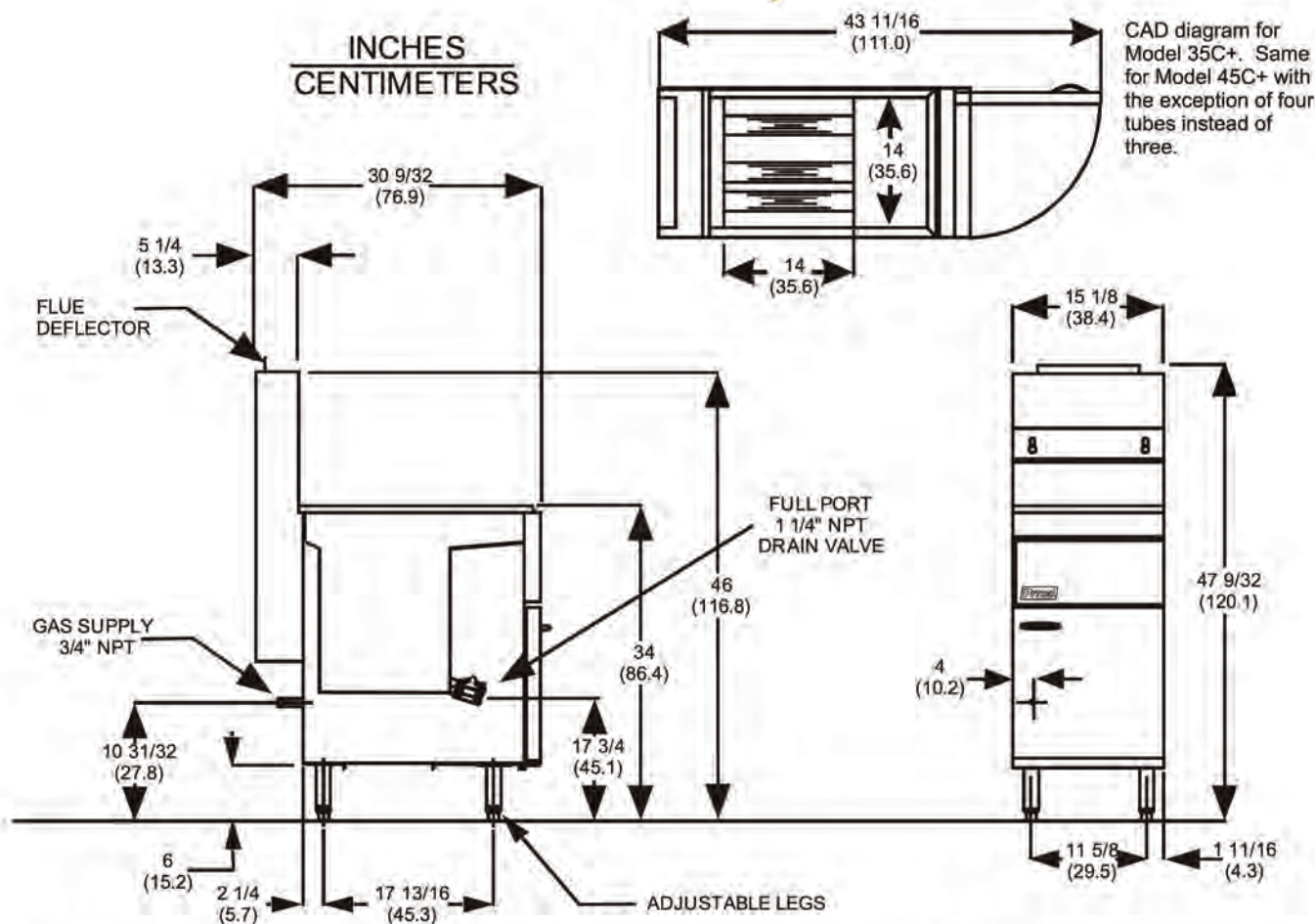
- Thermostat maintains selected temperature automatically between 200°F (93°C) and 400°F (190°C-CE).
- Integrated gas control valve acts as a manual and pilot valve, automatic pilot valve, gas filter, pressure regulator, and automatic main valve.
- Gas control valve prevents gas flow to the main burner until pilot is established and shuts off all gas flow automatically if the pilot flame goes out.
- Temperature limit switch safely shuts off all gas flow if the fryer temperature exceeds the upper limit.

OPERATIONS

- Front 1-1/4" (3.2 cm) NPT drain for quick draining.
- Standing pilot and thermostat maintain temperature automatically at the selected temperature (between 200°F (93°C) and 400°F (190°C-CE)).



(Model 35C+ only)



ELECTRICAL

OIL CAPACITY

Description	Voltage/Phase/HZ	
	120/1/60	24/1/50
	AMPS/EA	AMPS/EA
No electrical options available.	35 to 40 pounds (15.9 to 18.1 KG) – Model 35C+	
	42 to 50 pounds (19.1 to 22.7 KG) – Model 45C+	

SHIPPING INFORMATION

161 pounds (73 KG) / 17.0 cubic feet (0.48 cubic meters) (Model 35C+)
181 pounds (82.1 KG) / 17.0 cubic feet (0.481 cubic meters) (Model 45C+)

GAS CONSUMPTION

PERFORMANCE CHARACTERISTICS

90,000 BTU's/Hour (22,680 Kcal) – Model 35C+
122,000 BTU's/Hour (30,744 Kcal) – Model 45C+
Available in Natural or Propane Gas. For other Fuel types, contact your Dealer/Distributor.

Cooks 63 lbs (28.6 KG) of fries per hour – Model 35C+
Cooks 85 lbs (38.6 KG) of fries per hour – Model 45C+
Frying area is 14" x 14" (35.6 cm x 35.6 cm)

SHORT FORM SPECIFICATION

Provide Pitco Model 35C+, or 45C+ tube-fired gas fryer. Fryer shall have an atmosphere burner system combined with three stainless steel heat tubes (Model 45C+ has four tubes) utilizing high temperature alloy stainless steel baffles. Fryer shall have a deep cool zone; minimum 20% of total oil capacity. Fryer cooking area shall be 14" x 14" (35.6 cm x 35.6 cm) with a cooking depth of 2 3/4" (7.00 cm). Model 45C+ has cooking depth of 4" (10.16 cm). Heat transfer area shall be a minimum of 588 square inches (3,794 sq cm) for 35C+. Heat transfer for Model 45C+ shall be a minimum of 785 square inches (5,058 sq cm). Provide accessories as follows:

TYPICAL APPLICATION

Frying a wide variety of foods in a limited amount of space. Frying that requires a medium volume production rate.



Ecotel Restaurant Essentials
A Division of L'Hotelier Group PTY LTD.
45-51 Gilbert Street
Adelaide, SA 5000
AUSTRALIA

Tel : +61 8 8410 3633
Fax : +61 8 8410 3611
Toll Free 1 300 367 718(Aust Only)
sales@ecotel.asia